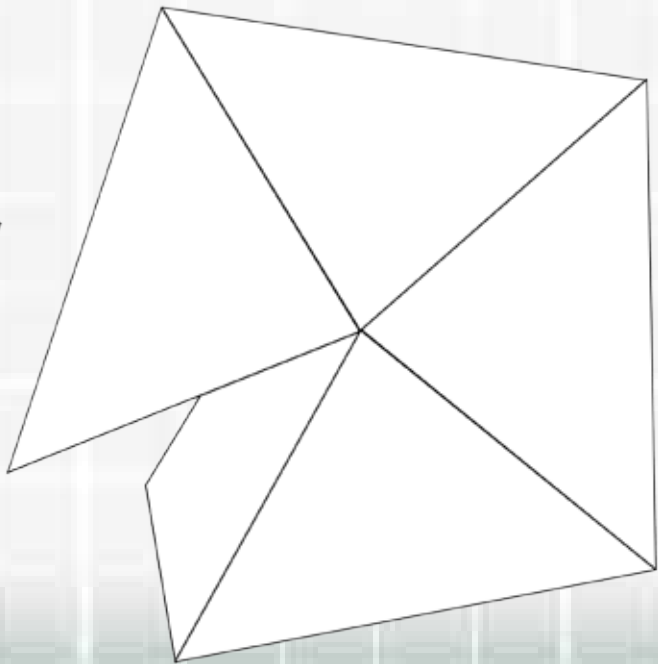
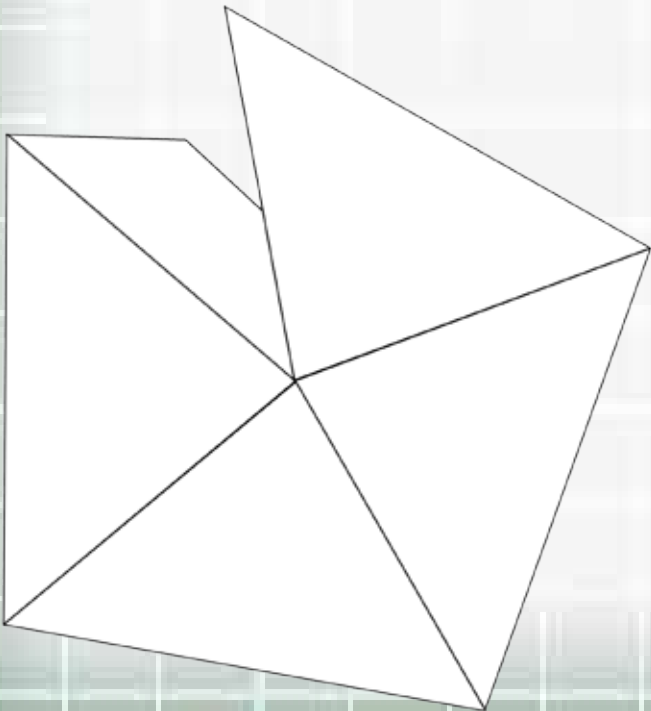
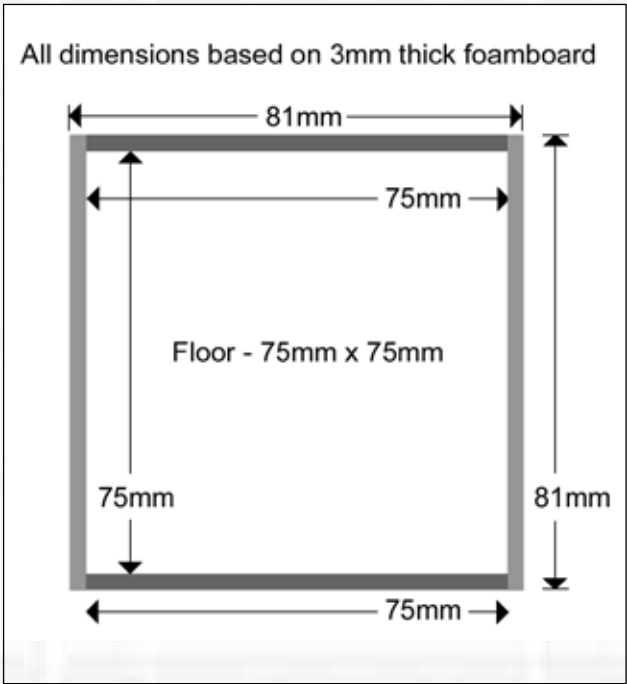
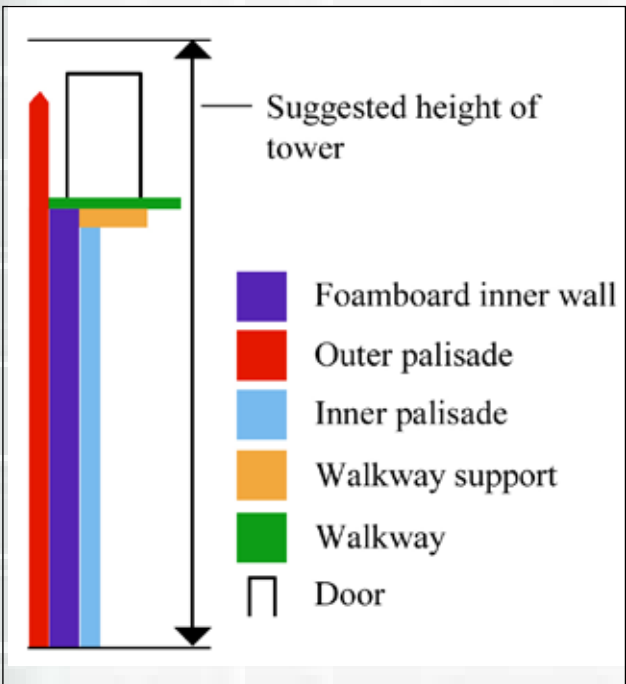


These are the plans for the North American Palisaded Fort terrain project to be used in conjunction with the construction article from WI300.

You will need to resize them as appropriate for the scale you are working with.

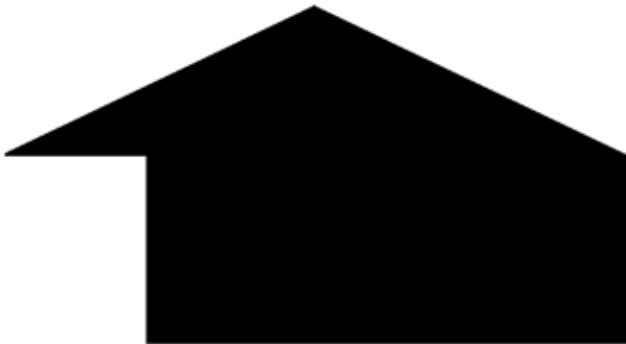
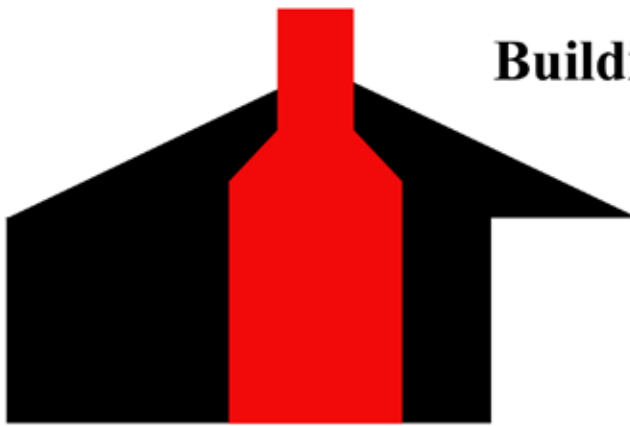
Our thanks go to Paul Davies for creating these plans.



Building 1 - Stables



Building 2 - Main building



Building 3 - Settlers hut



